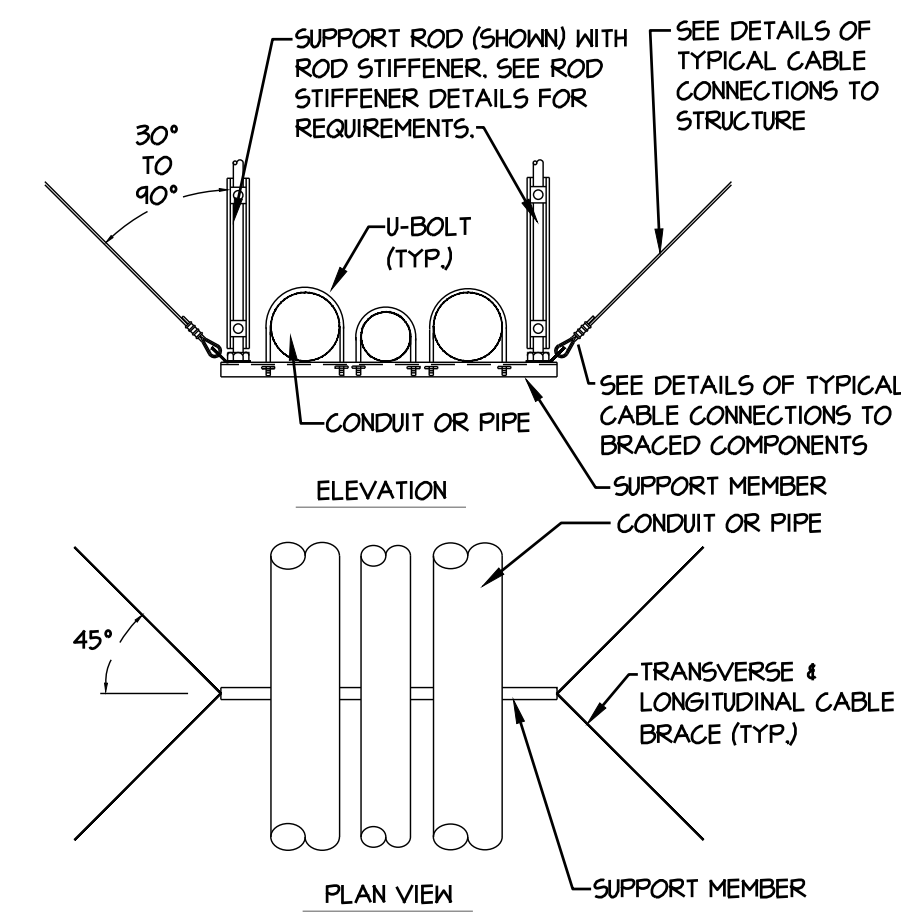
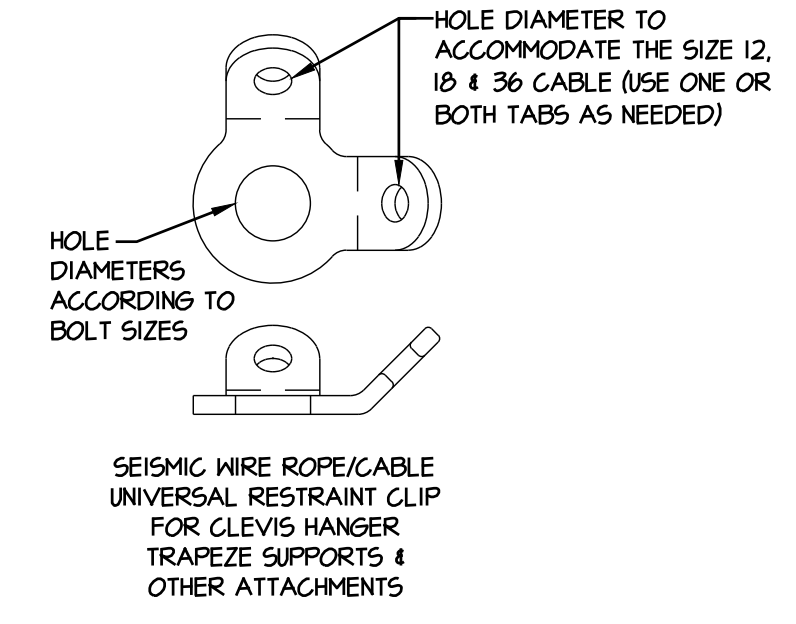


TRANSVERSE BRACE FOR DUCTWORK
N.T.S. 112

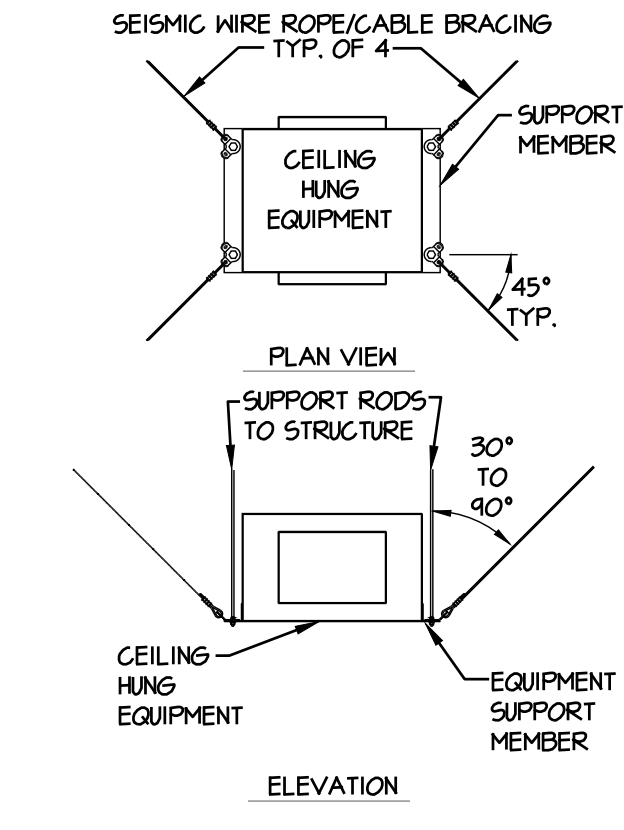


TRANSVERSE AND LONGITUDINAL (4-WAY)

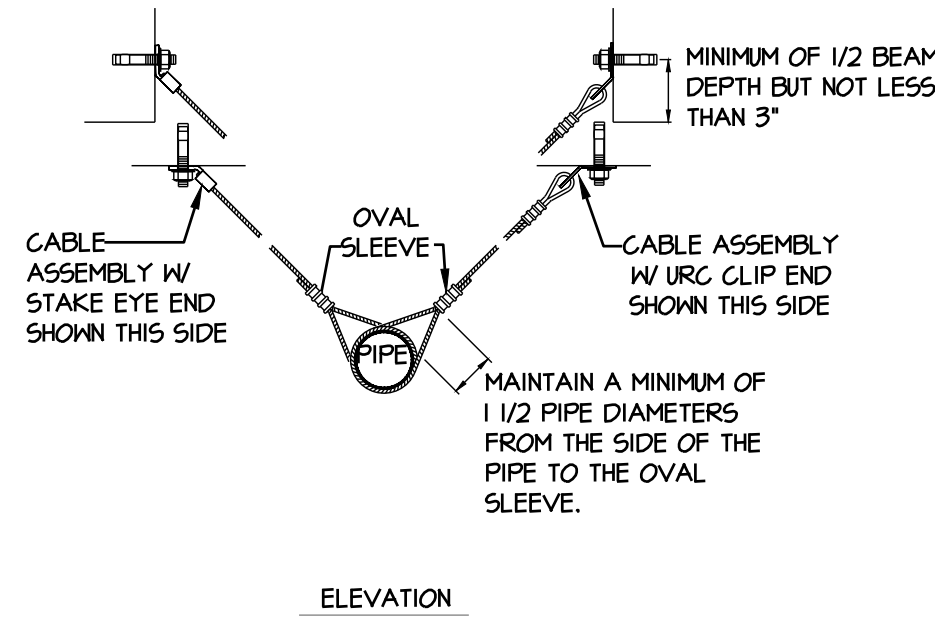
BRACE FOR PIPE AND CONDUIT ON TRAPEZE SUPPORTS
N.T.S. 111



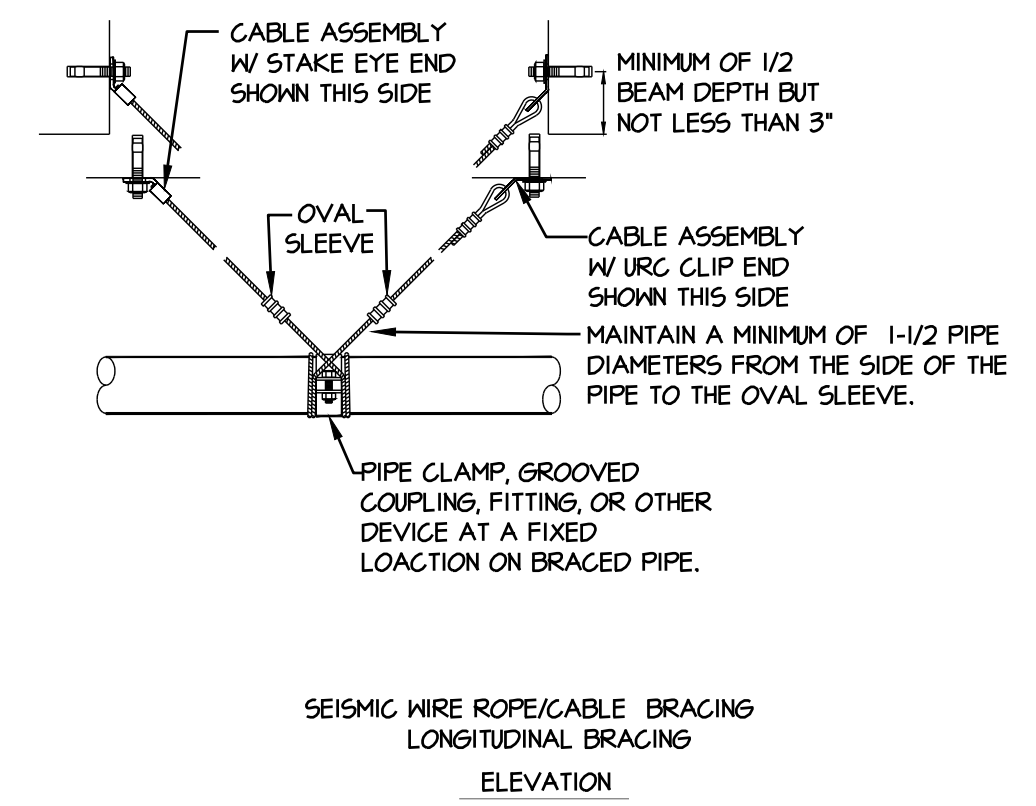
URC CABLE TO STRUCTURE OR BRACED COMPONENTS
N.T.S. 110



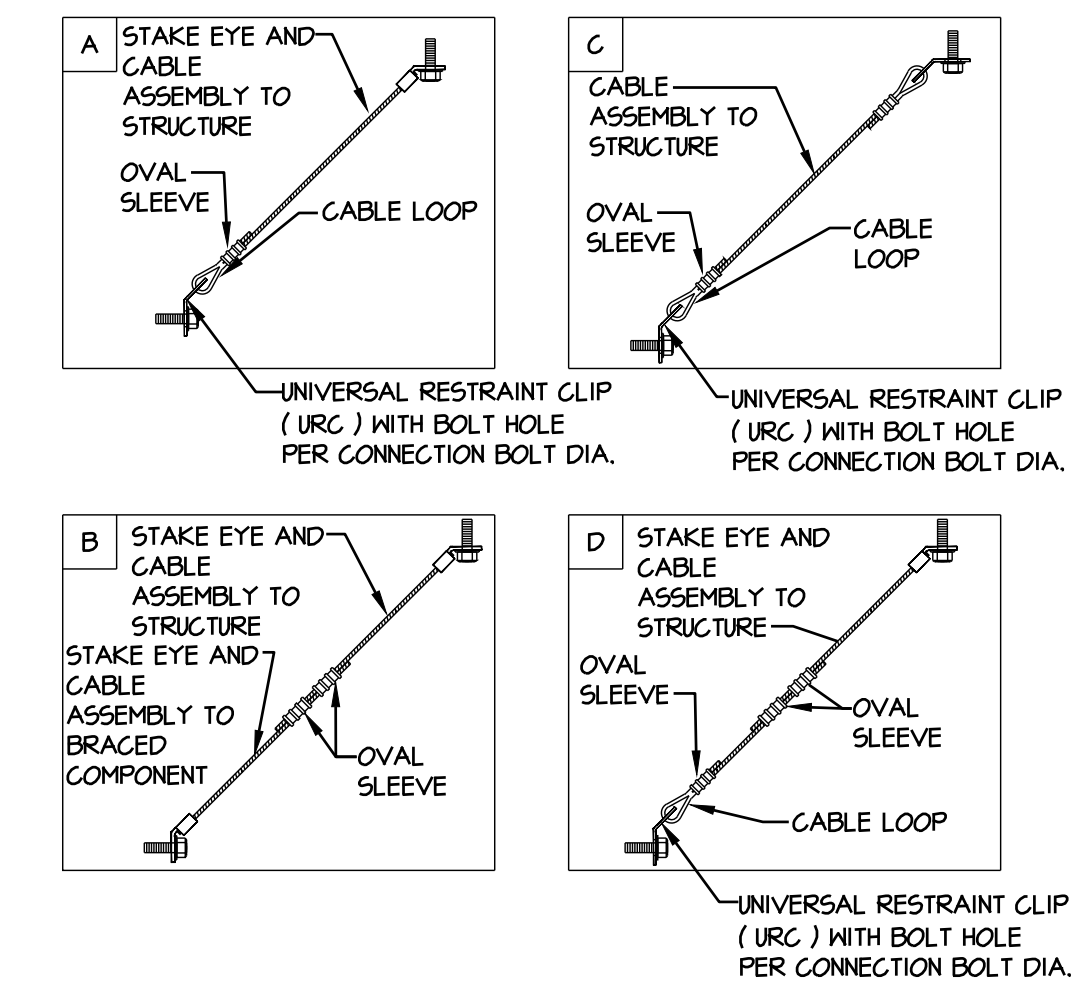
4-WAY SWAY BRACING OF CEILING HUNG EQUIPMENT
N.T.S. 109



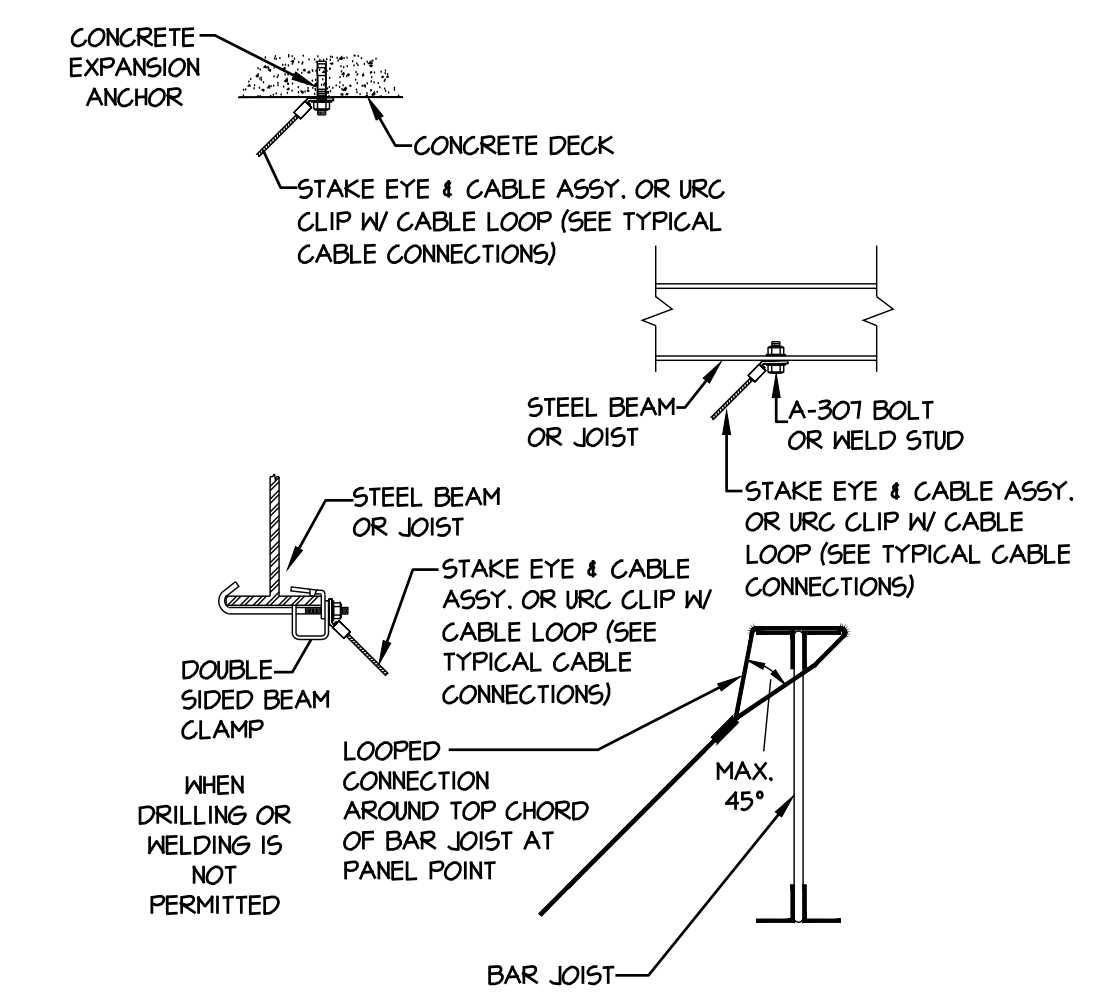
TRANSVERSE SWAY BRACE SINGLE HANGER CONDUIT
N.T.S. 116



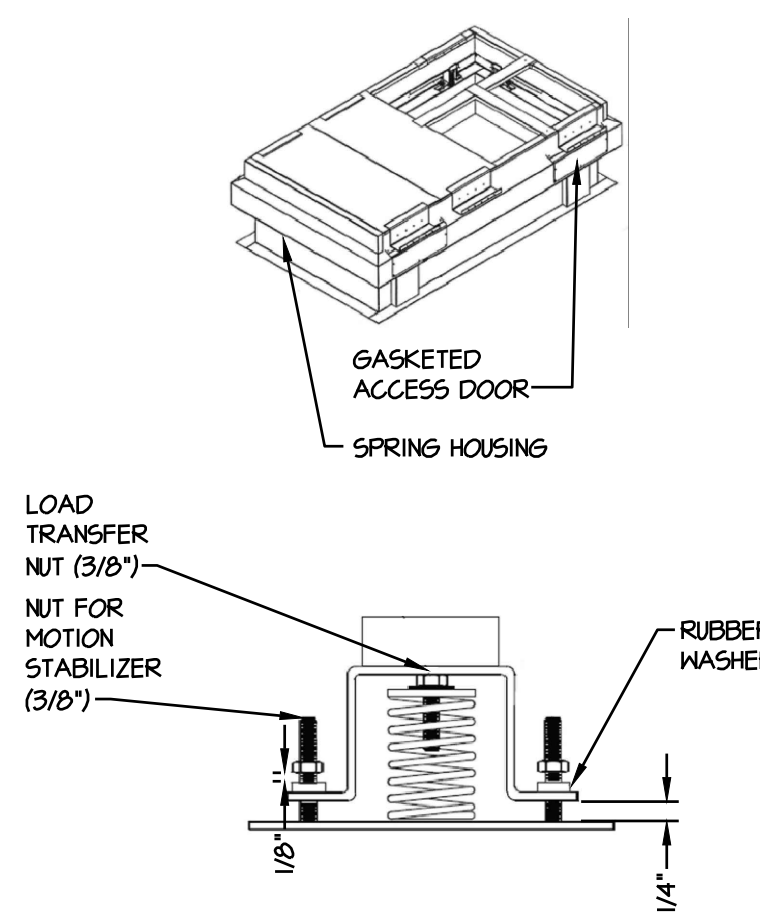
LONGITUDINAL SWAY BRACE FOR SINGLE HANGER CONDUIT
N.T.S. 115



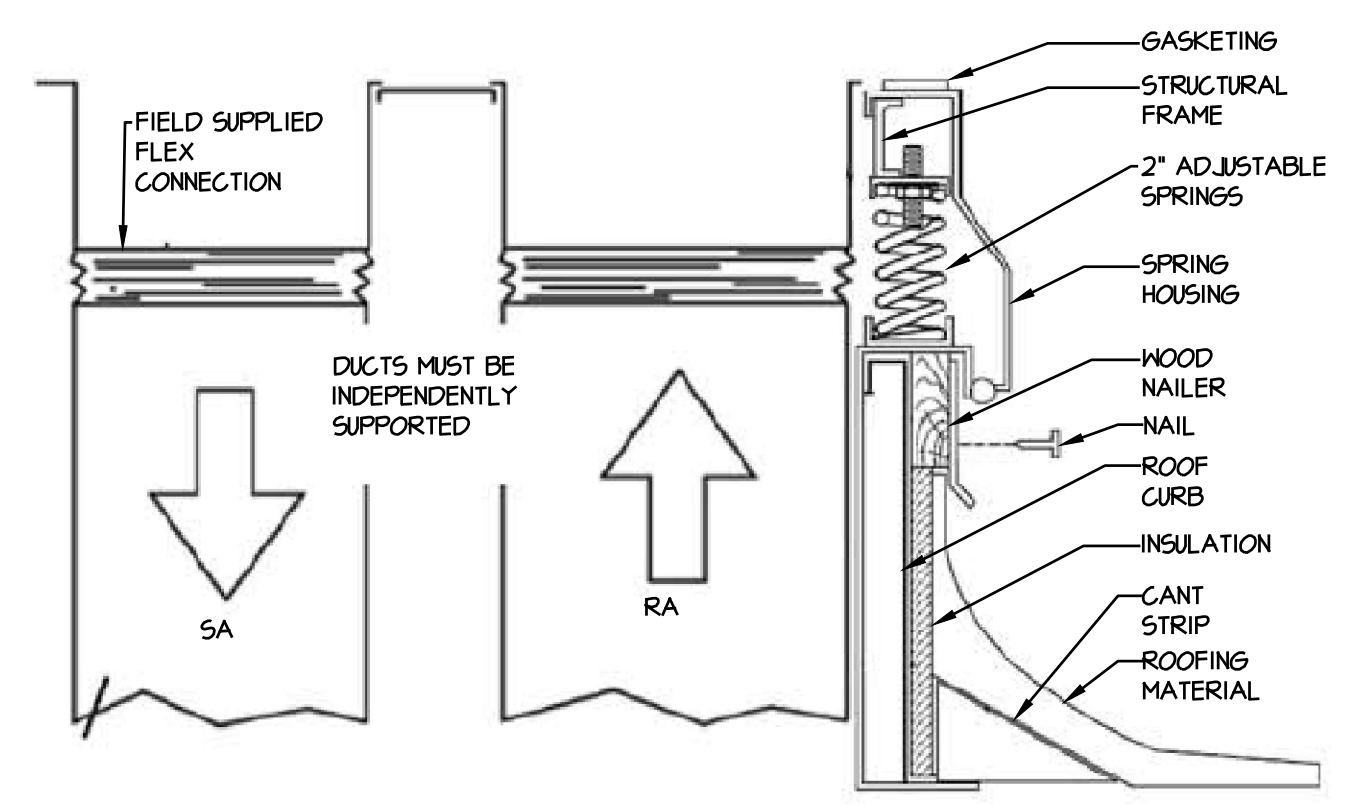
TYPICAL CABLE ASSEMBLIES FOR BRACED COMPONENTS
N.T.S. 114



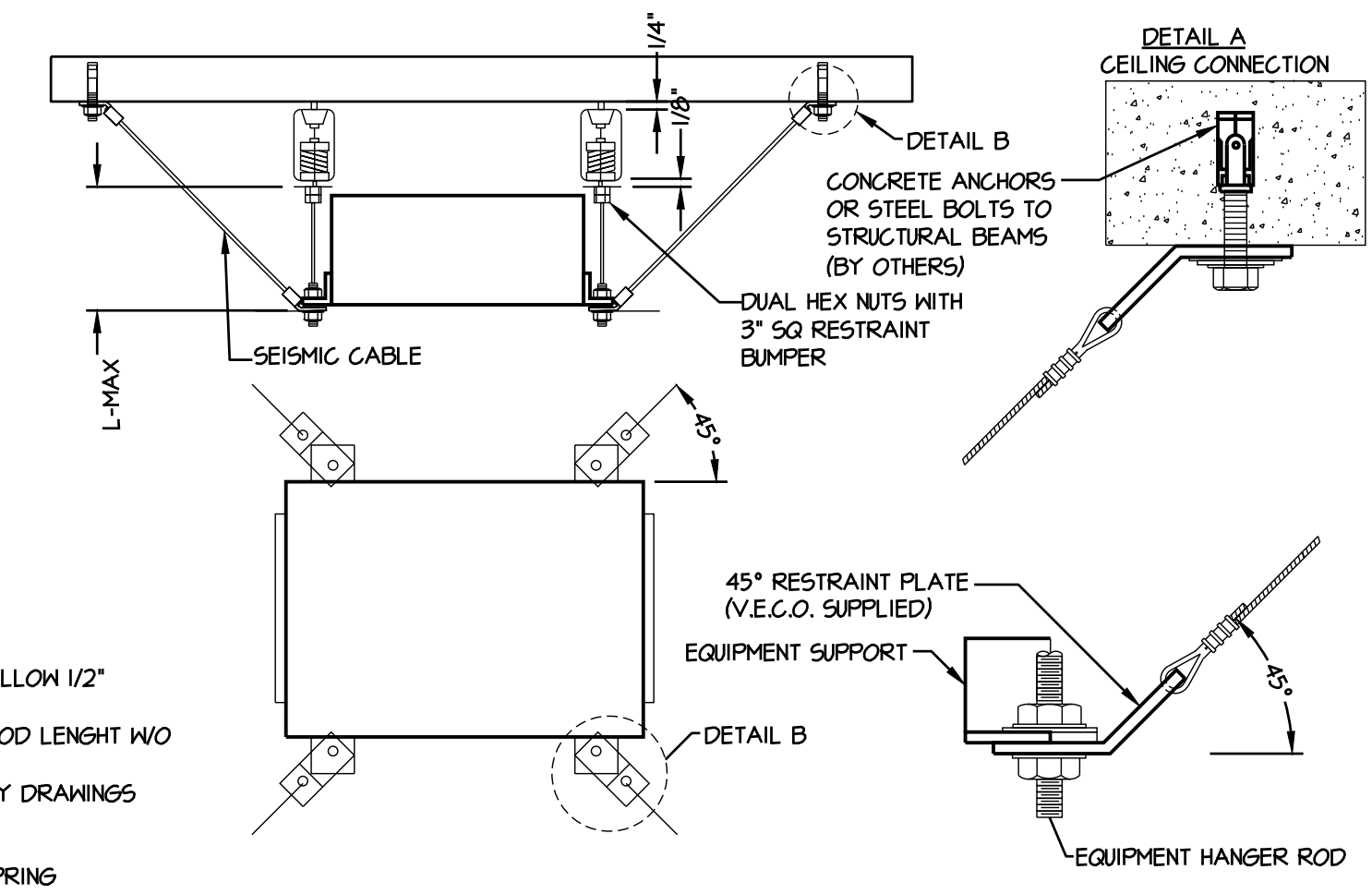
TYPICAL CABLE CONNECTIONS TO STRUCTURE
N.T.S. 113



SEISMIC ROOF CURB
NO SCALE 118



TYP SEISMIC CABLE RESTRAINT FOR SUSPENDED EQUIPMENT
N.T.S. 117



NOTES:
(1) FOR ISOLATED EQUIPMENT ALLOW 1/2" CABLE SLACK
(2) L-MAX=MAXIMUM THREAD ROD LENGTH W/O STIFFENING BRACE.
(3) REFER TO CABLE ASSEMBLY DRAWINGS FOR FURTHER DETAILS.

FOR MORE INFORMATION ON SPRING ISOLATORS CALL FLOW PRODUCTS: 602-410-8535

Revisions

VOICE: (520) 791-2060
FAX: (520) 791-2061



YUMA ADULT DETENTION CENTER HVAC REPLACE
141 S THIRD AVENUE
YUMA, AZ 85364
MECHANICAL SEISMIC DETAILS

Date: 2/2/24
Drawn By: JHB
Checked By: PEH
Scale: AS NOTED
Project Number: 23341
Sheet:

M2.0